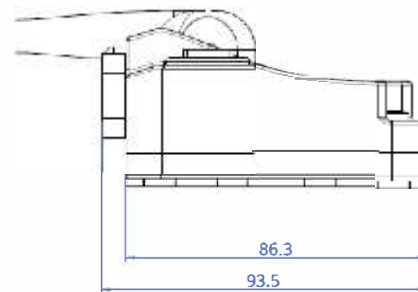
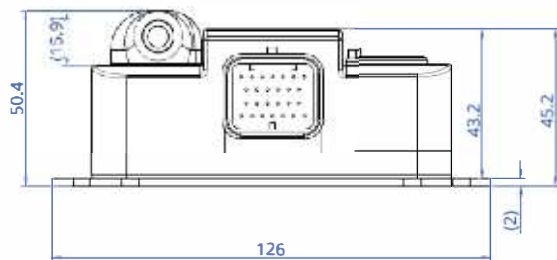
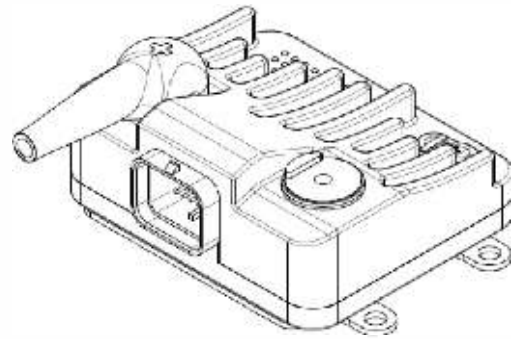
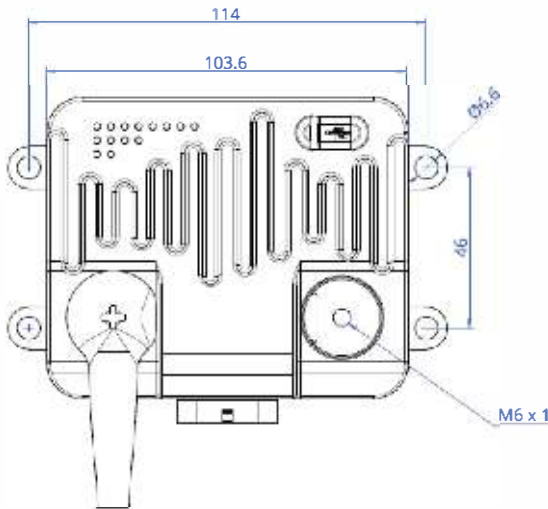


# RAZOR PDM SPECIFICATION SHEET



<b>High Power Outputs</b>	4 x High power outputs. Highside or lowside drive or paired in H-bridge configuration. 25A continuous, 70A peak, PWM capable 10KHz max.
<b>Multi-Purpose I/O</b>	8 x "ADIO" - Analog-Digital-Input-Output  All 8 capable of analog and digital/switched input  All 8 capable of highside drive on/off output  4 x capable of PWM/Frequency/Duty cycle/Speed input. 10KHz max (ADIO 5-8)  4 x capable of PWM output. Highside drive only. 10 KHz max (ADIO 1-4)  Software controlled pull-ups (4K7 to 5V)  Output 8A max, overcurrent protected but current limit is not user adjustable (wire must be capable of 8A)  Max input voltage 12V, max measurable voltage 5V
<b>Power</b>	6 - 24 Volts operating range (across main terminals)  12 and 16 Volt systems supported - nominal operation  4.5V - 5.5V USB (Low power mode, configuration only)  <300mA No output static current draw  5V Sensor supply  Sensor ground
<b>Communication</b>	USB (C type connector)  CAN BUS user configurable bit rate
<b>Physical</b>	Dimensions - (L) 103.6 mm x (W) 93.4 mm x (H) 43.2 mm  Weight - 0.475 kg
<b>Environment</b>	Water resistant  -40 to +80 °C operating temperature

## Header Plug

